

**ENDO**

**ENDO**  
P2H3007773

# **Magical Balancer**

*Maneuverable  
Ergonomics  
High quality  
from Japan*





# Maneuverable, Ergonomic and “Magical”



Controlled by Electricity

Driven by Air

2 modes of operation to increase work efficiency and safety

**Manual operation** Balance an object directly



Manual operation controls an object directly with little effort. It is possible to easily adjust the level of an object to the position you want it.

**Grip operation** Hoist an object by the grip switch



Grip operation hoists an object with the grip switch control. It handles heavy objects efficiently with less burden on the operator.

Fall-arrest system will be activated when the power sources cut off.

Operation modes are switched automatically. A beep and light will alert the user. (Manual switching is also available)



Magical balancer is a perfect choice when you need assistance with...

- Positioning in assembly shops
- Setting workpieces to machines
- Material handling with a jig
- Changing a mold etc...

**Application at our factory!**

We try our Magical Balancer on our production line.

■ Product handling

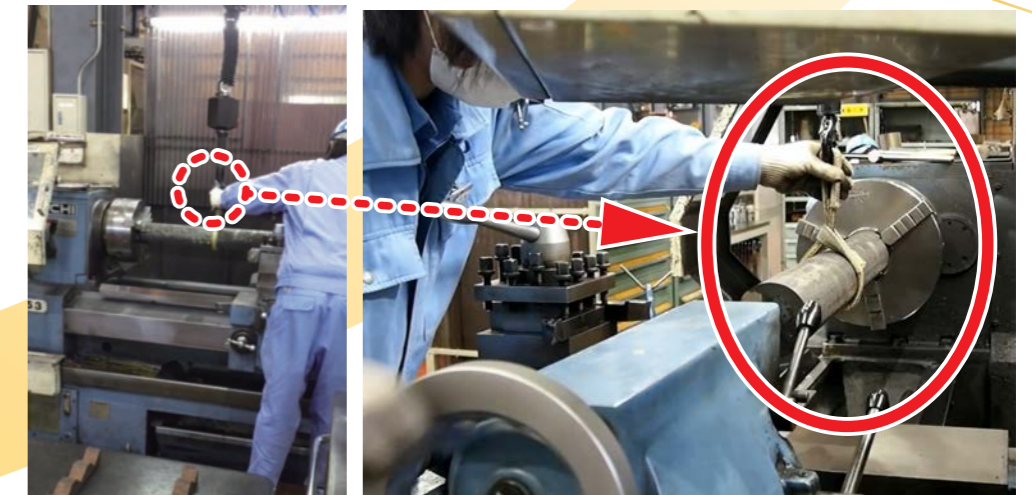


Manual operation sets the jig smoothly

Grip operation lifts up the product

Magical balancer assists carrying and packaging the product. The product is set into a frame in a package with Manual operation. The operation is performed with no shock and no damage to the product.

■ Setting a workpiece to a lathe machine



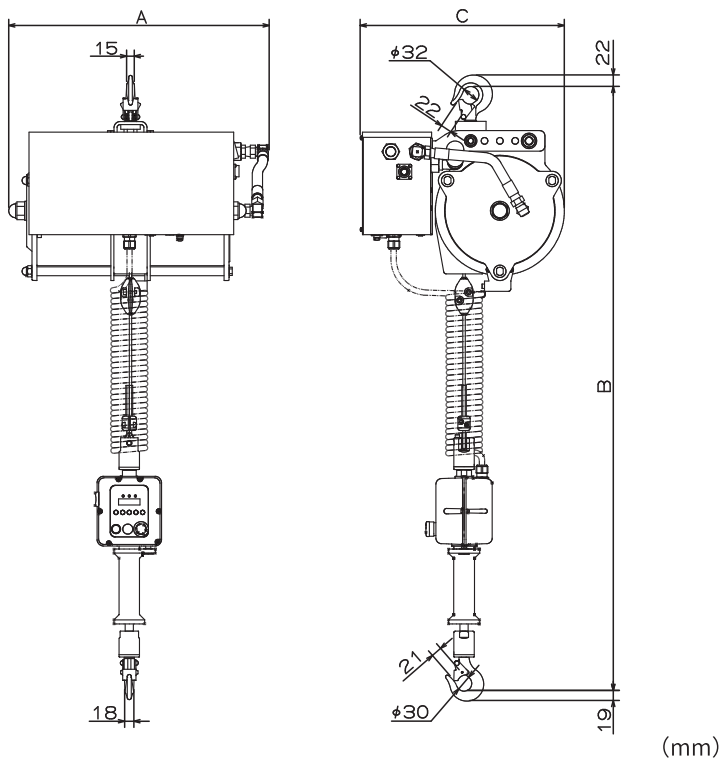
Manual operation helps the operator to set a workpiece to a lathe machine

Magical balancer supports precise adjustment. It eliminates the inching process and frees the operator from direct handling of heavy workpieces.

## Specification

Model	Air pressure (MPa)	Lifting capacity (kg)	Travel (m)	Mass (kg)	Wire rope dia. (mm)	Power sources	
						Air connection	Electricity
EDB-50	0.4	20	1.9	42	Φ4.76	Rc1/2	AC100-240V
	0.5	30					
	0.6	40					
	0.7	50					
EDB-85	0.4	40					
	0.5	55					
	0.6	70					
	0.7	85					
EDB-130	0.4	61					
	0.5	84					
	0.6	107					
	0.7	130					

## Demension



Model	A	B		C
		MIN.	MAX.	
EDB-50	509	1135	3035	378.5
EDB-85	509	1179	3079	399
EDB-130	509	1235	3135	452.5

*We propose various options with Magical balancer*



## ENDO KOGYO CO., LTD.

3-14-7, Akiba cho, Tsubame, Niigata, 959-1261, Japan

☎ +81-256-62-5133 ☎ +81-256-62-5772

🌐 [www.endo-kogyo.co.jp/english](http://www.endo-kogyo.co.jp/english)

## ENDO KOGYO INDIA PVT. LTD.

101, First floor, Aditya Towers, Lulla Nagar,  
Off Kondhwa Road, Pune-411 040, India

☎ +91-8600042752

🌐 [www.endo-india.co.in](http://www.endo-india.co.in) ✉ [info@endo-india.co.in](mailto:info@endo-india.co.in)

Note: Items showed in this catalogue are subject to change without notice. Please note that we have no responsibility for missing and fault on this printing.

Issued in September 2020